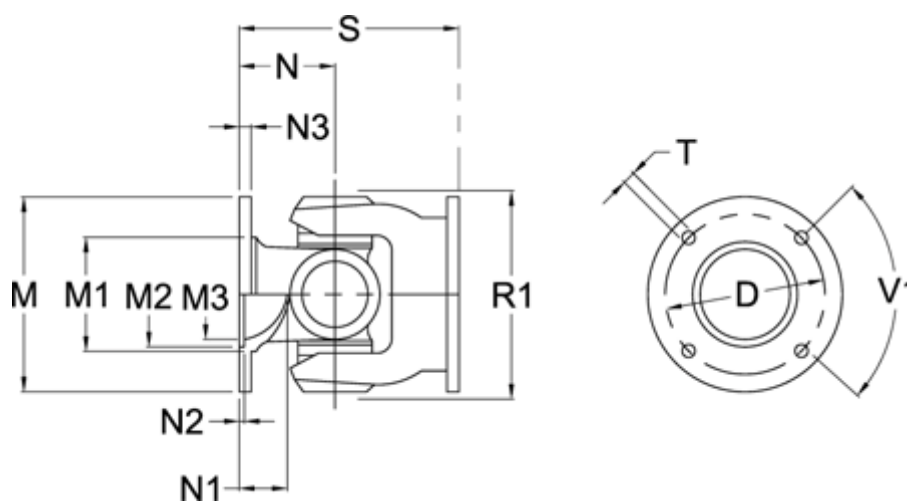


Article number: 07105401001

Description: Universal joint single 0.105.401.001
S=60 X= Bore with keyway

Measures



D	= 52 \pm 0,1	N2	= 1,7 \pm 0,3
Flange diameter M	= 65	N3	= 4
M1	= 38	Number og Flangeholes	= 4
M2	= 35	R1	= 52
M3	= 28	S min	= 60
Max. Bending Angle degrees	= 25	T	= 6 B12
N	= 30	V1 degrees	= 90
N1	= 12		